

ARI STAB



COMFORT

- Temperature regulation

EFFICIENCY&ENERGY SAVING

- Ecological polyurethane insulation

QUALITY

- Titanium glasslined inner tank tested at 12 bar
- Oversize magnesium anode
- 5-bolts flange
- Pressure safety valve rated at 6 bar

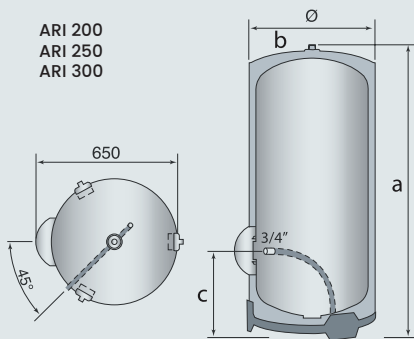
DESIGN

- Exclusive Italian design
- Floor Standing



floor standing

ARI 200
ARI 250
ARI 300



TECHNICAL DATA

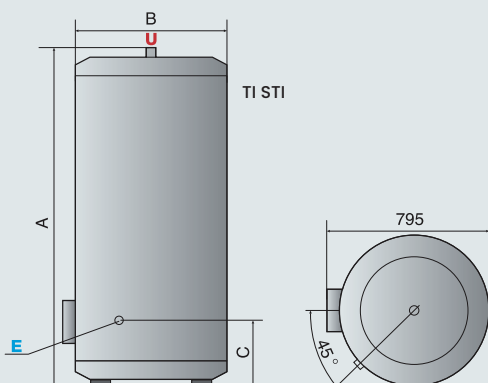
		ARI 200 STAB	ARI 250 STAB	ARI 300 STAB	TI STI 500
Capacity	l	200	250	300	500
Power	kW	3,0	3,0	3,0	6,0
Voltage	V	230/400	230/400	230/400	230/400
Heating time ($\Delta T = 45^{\circ}C$)	h, min.	4,26	5,00	5,54	4,40
Max. Working Temp.	$^{\circ}C$	75	75	75	75
Heat dispersion	kWh/24h	1,88	2,17	2,6	3,6
Max. Working Pressure	bar	6	6	6	6
Protection	IP	IP25D	IP25D	IP25D	IP25D
Weight	kg	50	61	71	95

OVERALL DIMENSIONS

	mm	1320	1270	1800	1870
a	mm	560	560	560	710
b	mm	390	365	365	335
c	mm				

CODE

	3000363	3000351	3000328	3060373
--	---------	---------	---------	---------



LEGEND

- E** Cold water inlet G1"
- U** Hot water outlet G1"

FAZA HOME

www.fazahome.ae | sales@fazahome.ae