

# AURES SLIM MULTI



## MULTI POINT

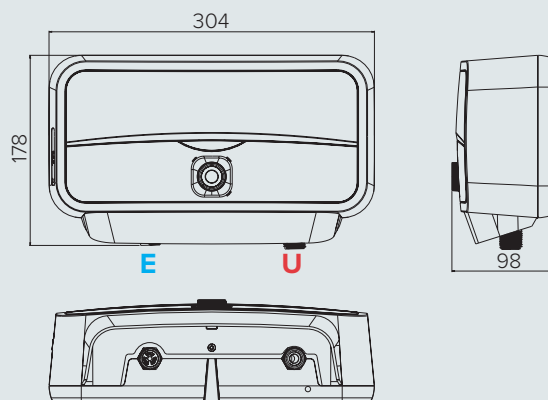
- / Multi point installation for hot water supply for one or multiple point(s)-of-use
- / Frontal and intuitive axial regulation to manage 4 setting power
- / Double Safety thermostat: Double Thermal cut out thermostat prevents scalding – Safety system
- / Flow sensor, so the product warms water only when the user turn on the tap
- / Energy saving & efficiency
- / Compact sizes and easy to install
- / Italian Premium design
- / 4 knob Power settings: Off, Low (1°HE), Med (2°HE), High (1+2° HE)
- / 3 led to show power level
- / No Accessory Shower
- / External safety valve
- / From 7kw is possible to make product: mono/ Double/Tri phase

## ENERGY CLASS



TECHNICAL DATA		SM 5 EU	SM 6 EU	SM 7 SASO	SM 7.7	SM 7 EU	SM 9.5 EU	SM 12	SM 12 TR EU
Voltage	V	220-240	220-240	220	220-240	220-240	220-240	220-240	400-415
Power	kW	5	6	7	7,7	7	9,5	12	12
Step Power	kW	2+3	2,5+3,5	3+4	3,3+4,4	3+4	4,5+5	4+(4+4)	4+(4+4)
Phase		Mono	Mono	Mono	Mono	Mono	Mono	Mono	400-415
Ampere at 220V		22,7	27,3	31,8	35	31,8	43,2	54,5	30*
Frequency	Hz	50/60	50/60	50/60	50/60	50/60	50/60	50/60	50/60
Safety Valve	Y/N	Y	Y	Y	Y	Y	Y	Y	Y
Heating element		Copper	Copper	Copper	Copper	Copper	Copper	Copper	Copper
Min flow rate	L/MIN	2.1	2.1	2.1	2.1	2.1	2.1	2.1	2.1
MAX Working Pressure	bar	8	8	8	8	8	8	8	8
IP protection degree		IP24	IP24	IP24	IP24	IP24	IP24	IP24	IP24
Max working temperature	°C	55	55	55	55	55	55	55	55
Cable & Plug		No	No	No	No	No	No	No	No
<b>CODE</b>				3520026	3520025			3520029	
Erp class		3520021	3520032	-	-	3520030	3520027	-	3520031
Tapping profile		A	A	-	-	A	A	-	A
		XXS	XS	-	-	XS	XS	-	XS

\* Ampere at 400V  
 The capacity indicated in this catalogue identifies the product category.  
 The effective capacity of the product is given in the relevant technical documentation provided with the product.



**LEGEND**  
**E** Cold water inlet G 1/2"  
**U** Hot water outlet G 1/2"