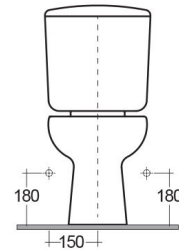
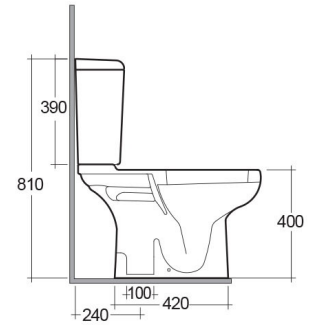
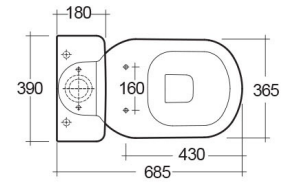


RAK-LIWA

Close Coupled | Water Closet

RAK
CERAMICS



TECHNICAL SPECIFICATIONS

Suite:	RAK-LIWA
Type:	Close Coupled
Dimensions:	685 x 365 mm
Weight:	35 Kg
Color:	Alpine White, Ivory
Trap type:	S Trap
Trapway type:	Concealed
Seat cover options:	ABS & Urea
Bowl shape:	Oval
Soft close:	yes
Flush Type:	Dual Flush
Flush Capacity:	Compatible with 6/3L dual flushing, 4,5/3L dual flushing, in accordance with en997-type 1

Code	Name
LW03AWHA	LIWA WATER CLOSET CLOSE COUPLED S-TRAP 68CM
LW04AWHA	LIWA WATER CLOSET TANK
JM05DSCQRAWHA	RAK-Jumeriah ABS Soft Close Seat and Cover with Quick Release

JM05DNCQRAWHA

RAK-Jumeriah ABS Normal Close Seat and
Cover with Quick Release

Dimensions: All dimensions in mm. Tolerance of vitreous china & fireclay items: $\pm 5\%$ for below 200mm and $\pm 3\%$ for above 200mm; for all other items tolerance $\pm 1\%$. Note: Due to a continuing development program to improve design and performance, the manufacturer reserves all rights to vary specifications without prior information. Please note accessories are for photographic use only.