

CP ANGLE VALVE 1/2" [M-1550] FRANCO OSCAR

Product Code: M-1550

Finish: Chrome Finish with Brass thread

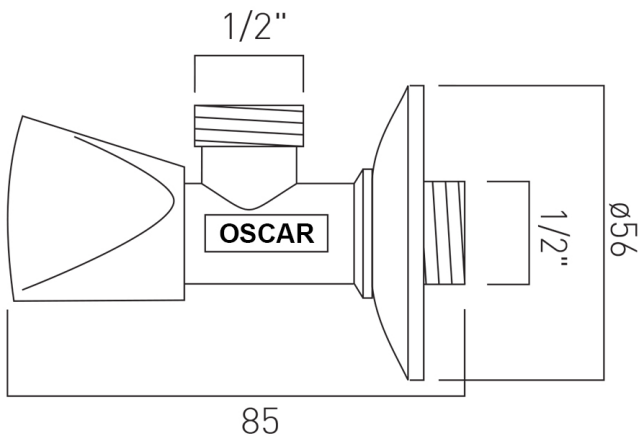


BRUSHED
STAINLESS
STEEL

BOX CONTENTS

1/2" x 1/2" angle valve with tricorn handle

TECHNICAL DRAWING



SPECIFICATIONS

Brand	ITALIAN
Color	Chrome Finish with Brass Thread
Model	M-1550
Material	BRUSHED STAINLESS STEEL
Series	Franco
Item	Oscar Franco Angle Valve
Product Type	CP Angle Valve
Connection Size	1/2"
Item Weight (G)	174 G
Box Weight (G)	240 G
Mounting Type	Wall Mounted